



UNIVERSITY OF CAMBRIDGE INTERNATIONAL EXAMINATIONS  
General Certificate of Education Ordinary Level

www.PapaCambridge.com

---

**GEOGRAPHY**

**2217/23**

Paper 2

**May/June 2012**

INSERT

**2 hours 15 minutes**

---

**READ THESE INSTRUCTIONS FIRST**

This Insert contains Photograph A for Question 3, Fig. 10 for Question 7, and Figs 13 and 14 for Question 8.

The Insert is **not** required by the Examiner.

---

This document consists of **4** printed pages.



Photograph A for Question 3



Fig. 10 for Question 7

Measuring equipment

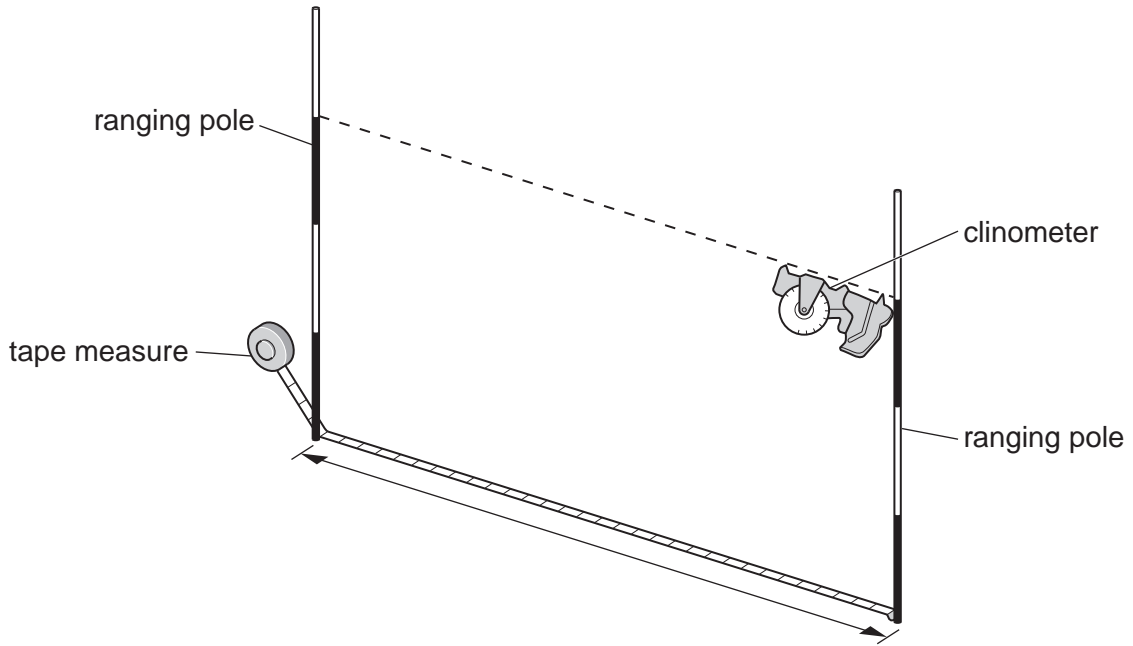


Fig. 13 for Question 8

Textbook model of land use

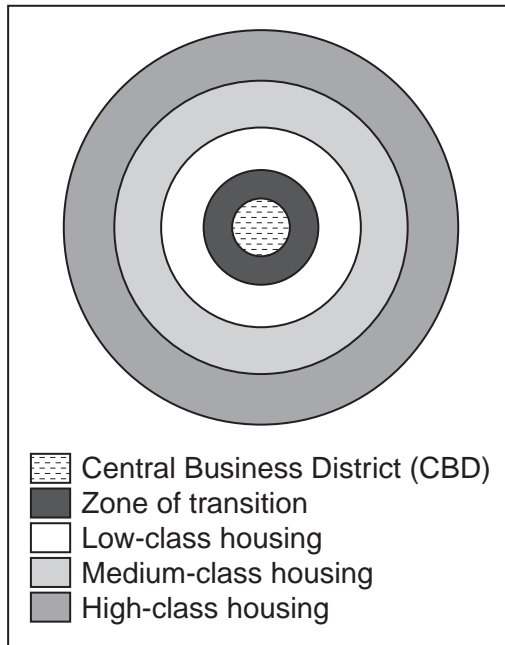
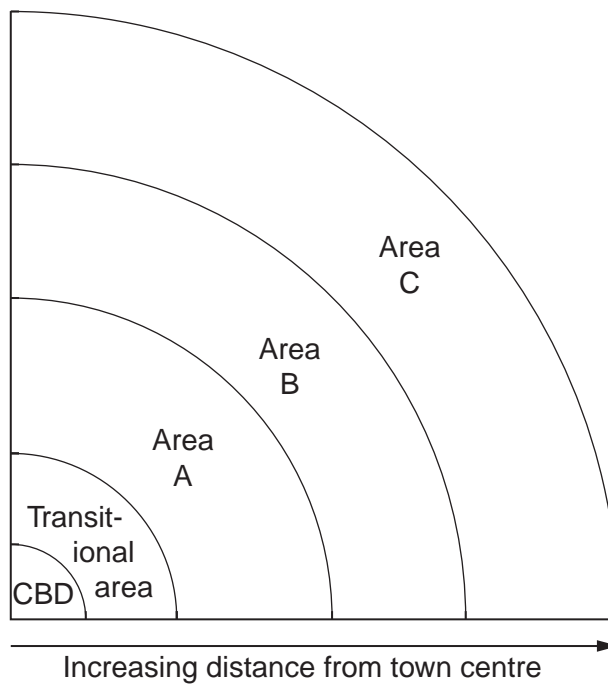


Fig. 14 for Question 8

**Different housing areas  
used in the survey****Key**

- Area A: terraced houses built around 1900
- Area B: semi-detached houses built in the 1930s
- Area C: detached houses built since 2000